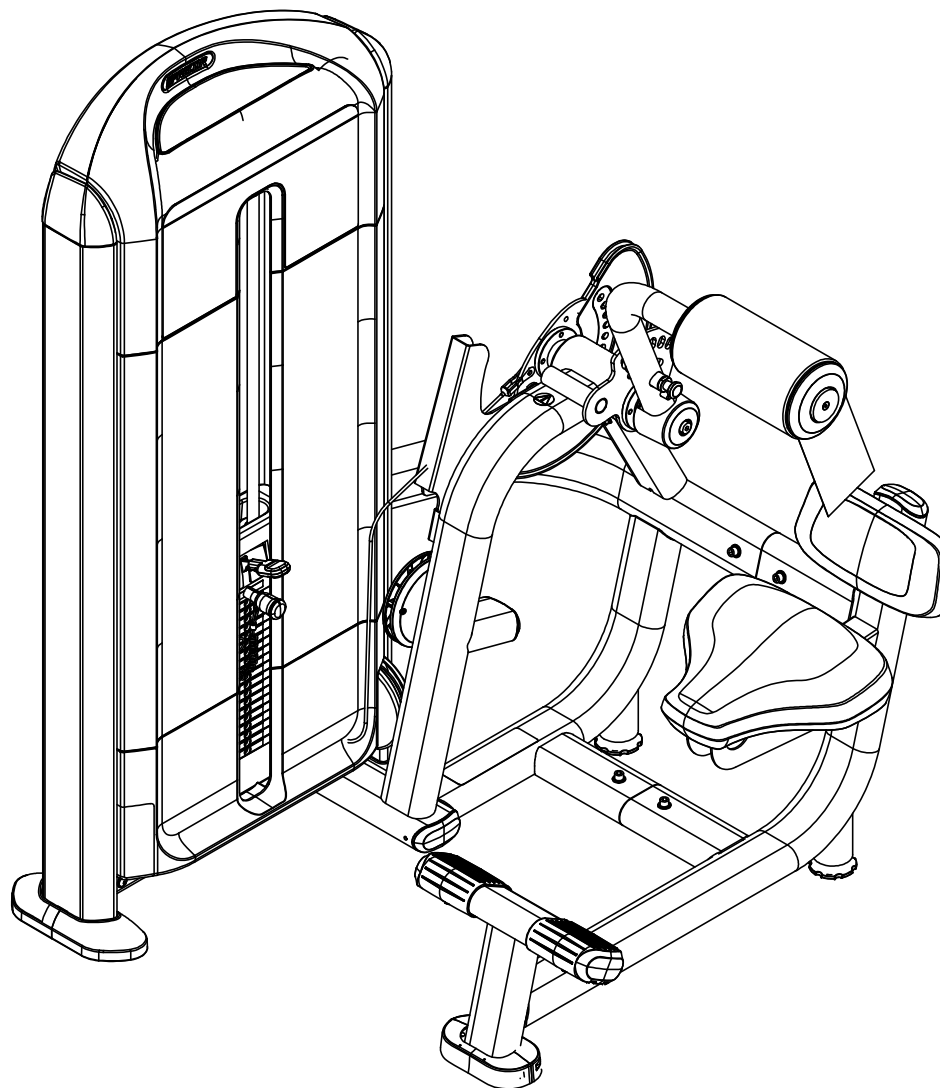


NOTES:

1 THIS LABEL IS FURNISHED AS PART OF A LABEL KIT.
ORDER REPLACEMENT LABEL KITS AS FOLLOWS:

- 201 ENGLISH
- 202 DUTCH
- 203 GERMAN
- 204 SPANISH
- 205 FRENCH
- 206 ITALIAN
- 207 CHINESE
- 208 IB PORT
- 209 BR PORT
- 210 RUSSIAN
- 211 HEBREW
- 212 JAPANESE



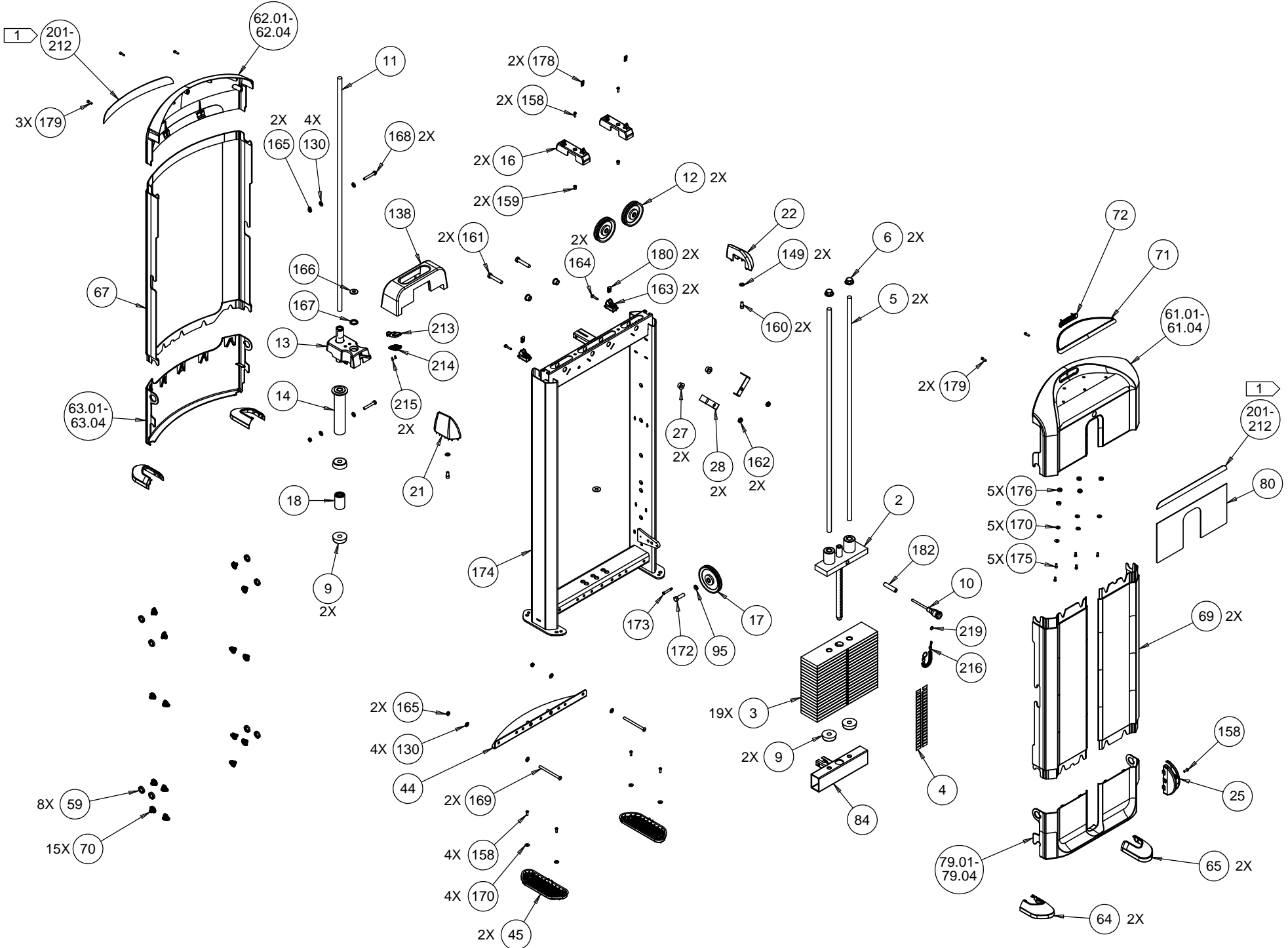
| | | | | | | | |
|----------|---------|-----|------|-----------------------------|-------------|---------------|--|
| PRODUCT: | | | | DSL313, BACK EXTENSION CORE | | PRECOR | |
| DRWN BY | 6/2/14 | SEF | SIZE | PAGE | DWG. NO. | SUBREV | |
| CS | 5/30/14 | MRH | A | 1 OF 4 | CW39059-101 | D | |

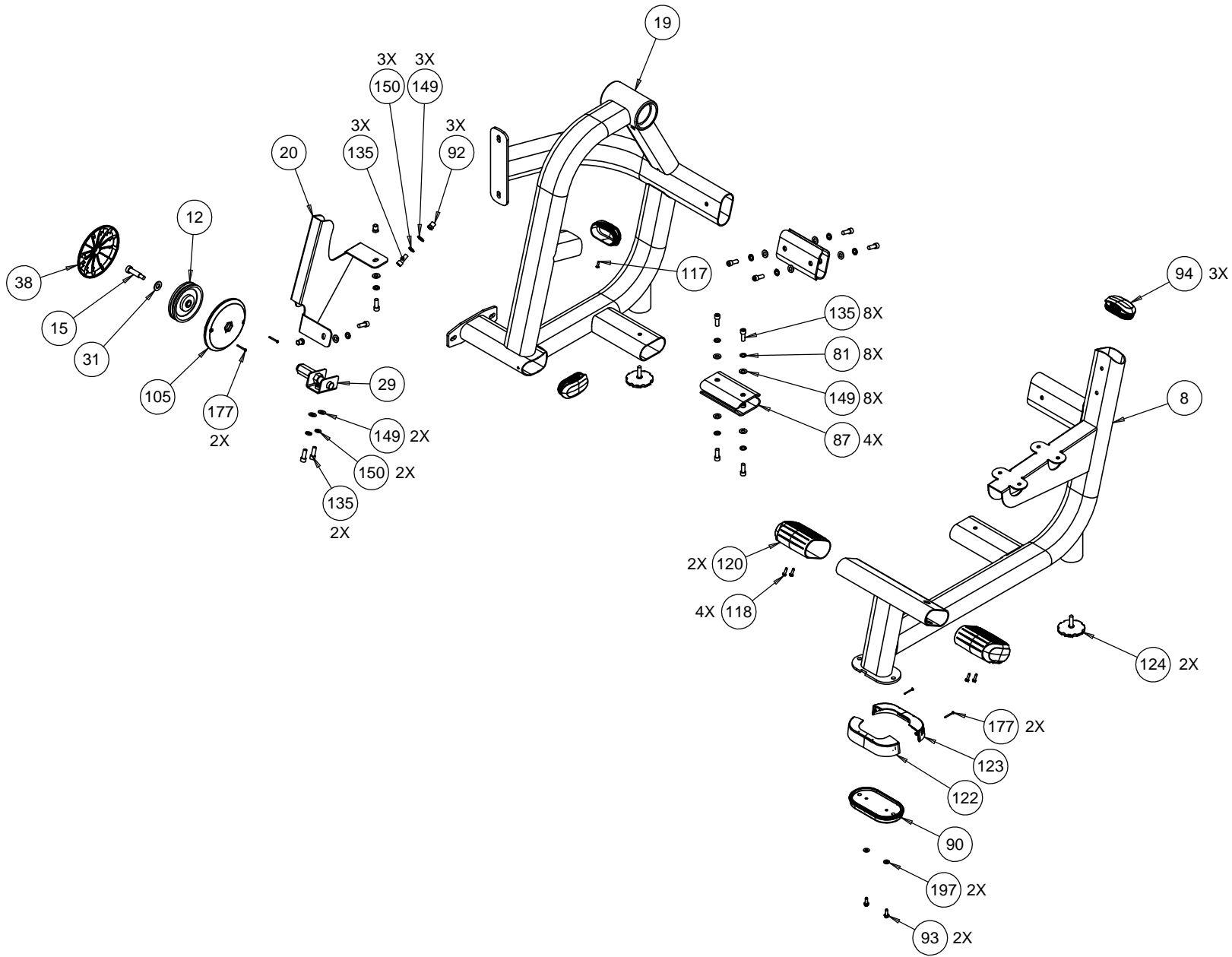
D

C

B

A





D

C

B

A

4

3

2

1

